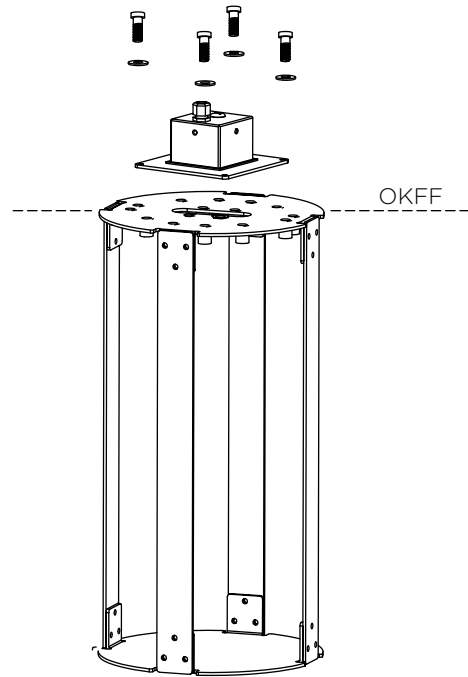


anchorage unit

instructions for use

1. Check mains connection, if disconnected.
2. Pay attention of position "top". Select the appropriate perforation pattern on the basis of the baseplate of the luminaire. Insert underground cable centrally into anchorage unit.
3. Check alignment of the anchorage unit according to the final position of the luminaire. Can be important for rectangular luminaires. Adjust anchorage unit in balance and fasten it stable. Ensure that screws are omitted when setting in concrete. The baseplate of the luminaire has to be flush with FFL (finished floor level).
4. Insert underground cable through cable gland of baseplate.
5. Secure baseplate with cylinder screws on the anchorage unit.
6. Install luminaire according to instructions of use.



Attention:

Wet concrete might be highly alkaline and must not come into permanent contact with the luminaire! Therefore we recommend to ensure a sufficient drainage in the installation area and to protect the foundation with an insulating painting.

Safety:

In spite of the use of high-quality- and stainless materials, corrosion of the anchorage unit can occur from contact with highly acidic or alkaline soils or from galvanic potentials in the soil or from the use of chemical agents, such as winter antiicing salt.

In case of doubt, a soil analysis should be made and the use of chemical agents avoided. In special cases, an adjustment of the electric potential in the ground may be necessary, e.g. by separate earthing of the anchorage unit.

No complaints can be accepted for any superficial corrosion of the anchorage unit by the manufacturer.

We point out that the electric connection of light fixtures has to be done by a certified installer.

We assume no accountability for damages which are a result of non-appropriate mounting or application of the luminaire. Modifications on the luminaire will result in loss of warranty.