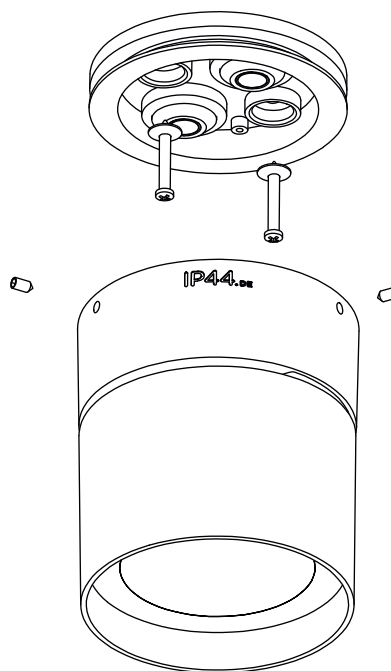


pro R

instructions for use

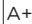
For ceiling mounting only

1. Push main cable through cable entry part of the ceiling bracket and ensure tight seal.
2. Attach ceiling bracket. Use the washer gasket with rubberized face against to the ceiling bracket. Seal unused mounting holes.
3. Establish ground connection and connect power lines.
4. Put light housing onto ceiling bracket, press ceiling bracket and tight set screws flush and evenly. Avoid pinched cables.



light technology:

230V Power LED / 3000K
system performance: 15 W/1150 lm


 EEC

technical information:

operating voltage 230V / 50Hz

 protection class

 safety class 1

 Luminaire is suitable for mounting on normal inflammable surfaces.

 conformity mark

maintenance:

Disconnect the electrical installation.

This luminaire contains built-in LED lamps. The LED lamps can be replaced by IP44.de in case of a failure of the LED. In this case, please get in touch with your retailer.

dimming:

The luminaire can be dimmed with an approved leading- or trailing edge dimmer. Please contact IP44.de service center for a list of approved dimmers.

care:

Regularly clean luminaire from dirt and deposits. Do not use a high pressure cleaner for cleaning. Please note care instructions at www.IP44.de.

safety:

We point out that the electric connection of light fixtures has to be done by a certified installer. We assume no accountability for damages which are a result of non-appropriate mounting or application of the luminaire. Modifications on the luminaire will result in loss of warranty.