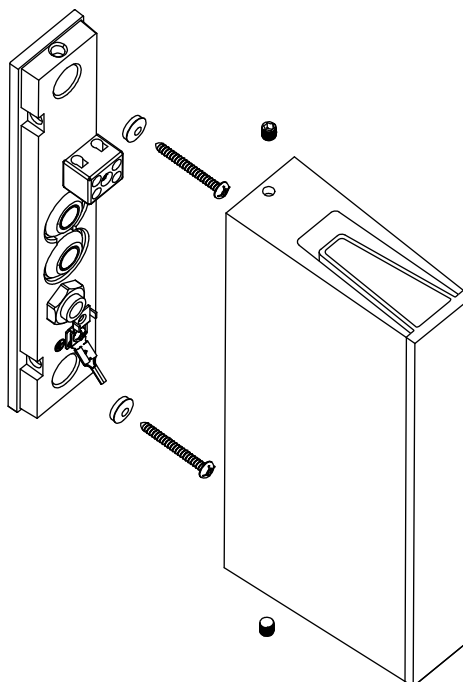


gap Y


instructions for use

1. Push main cable through cable entry part of the wall bracket and ensure tight seal.
2. Attach wall bracket. Pay attention of position „top“. Use the washer gaskets with rubberized face against to the wall bracket. Seal unused mounting holes.
3. Establish ground connection and connect power lines.
4. Attach light housing onto the wall bracket and screw it on.



light technology:

IvyLight-technology
230V Power LED / 3000K
system performance: 12 W/210 lm

 EEC

technical information:

operating voltage 230V / 50Hz



protection class



safety class 1



Luminaire is suitable for mounting on normal inflammable surfaces.



conformity mark

maintenance:

Disconnect the electrical installation.

This luminaire contains built-in LED lamps. The lamps cannot be replaced in the luminaire.

dimming:

The luminaire can be dimmed with an approved leading- or trailing edge dimmer. Please contact IP44.de service center for a list of approved dimmers.

care:

Regularly clean luminaire from dirt and deposits. Do not use a high pressure cleaner for cleaning.

Please note care instructions at www.IP44.de.

safety:

We point out that the electric connection of light fixtures has to be done by a certified installer.

We assume no accountability for damages which are a result of non-appropriate mounting or application of the luminaire.

Modifications on the luminaire will result in loss of warranty.